

Built-in Casambi lighting control



Handle with care! Damage to the edge or scratching of the surface can break the glass or optics. Protect the edges of the glass from impact, as the edges are the weakest point of the glass. Do not scratch the optics!



Only for dry indoor areas.



The cable can only be replaced by manufacture.



DO NOT USE ALCOHOL!
Wipe clean with a damp cloth moistened with soft water or detergent solution pH 6-8. Wipe dry with a clean cloth.



Do not use any abrasives or solvents. Keep surfaces clean to ensure uniform light.



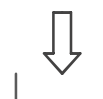
CASAMBI



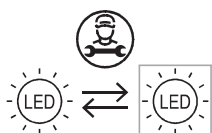
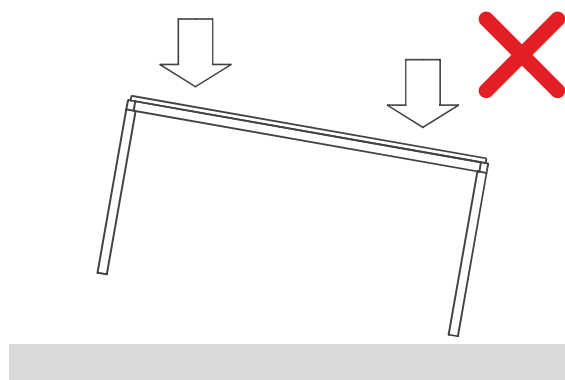
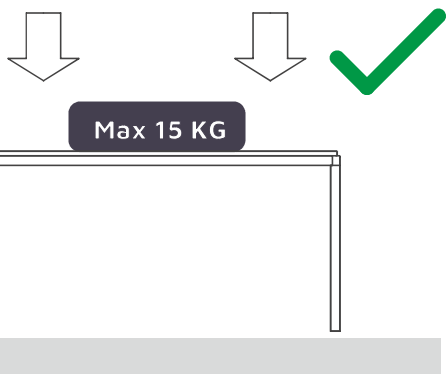
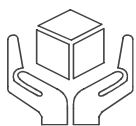
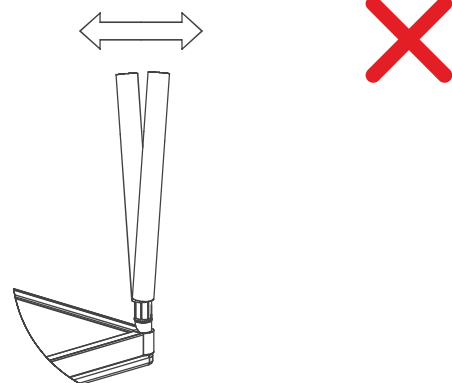
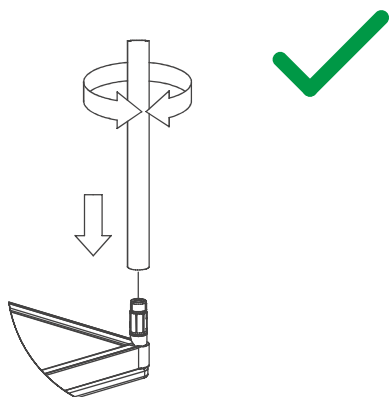
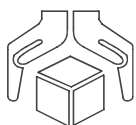
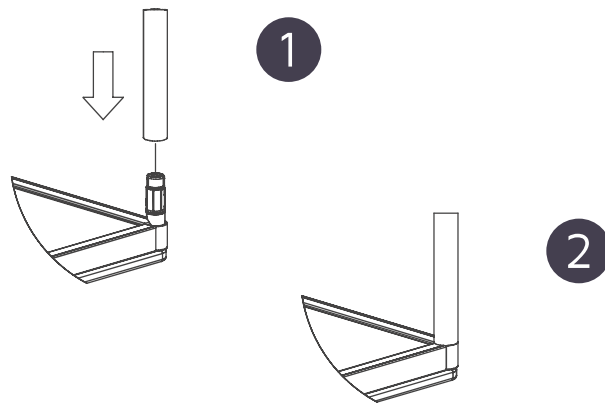
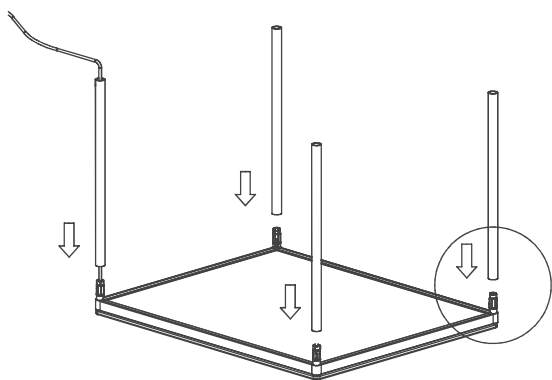
Download the App



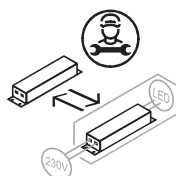
Download user manuals and videos
www.aicci.fi/support



Place the glass top on a flat surface on top of the product packaging or other soft surface before assembling the table legs. Never place the glass directly on a hard surface!



LED light source replaceable by qualified person



Control gear replaceable by qualified person